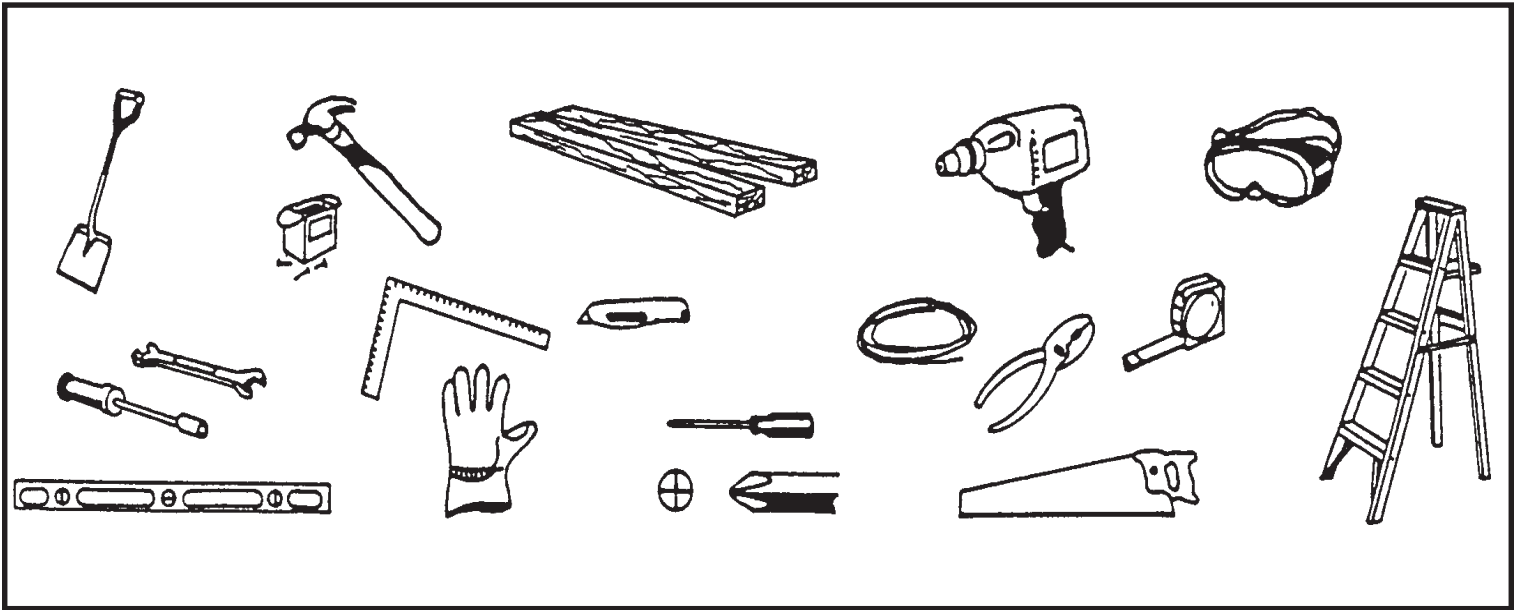


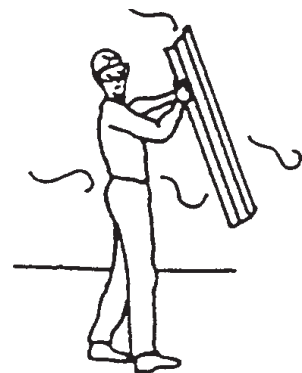
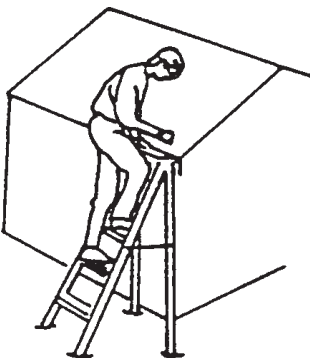
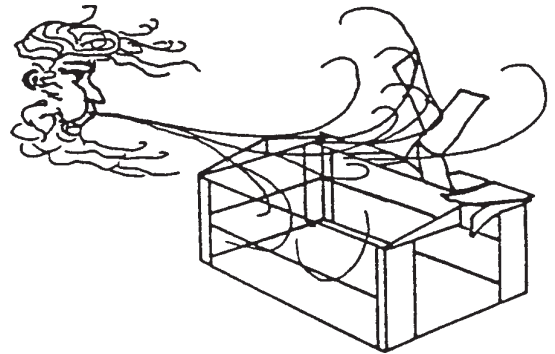
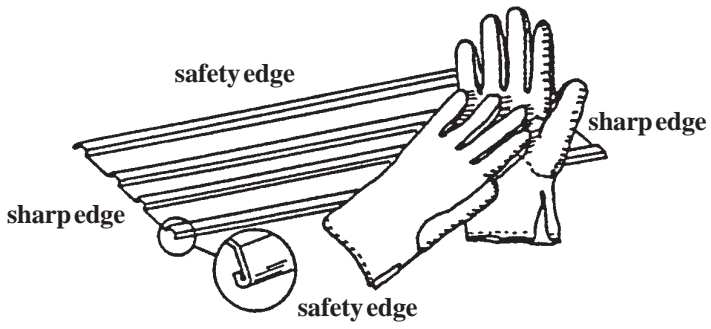
Frame Kit Arrow Anchoring Kit

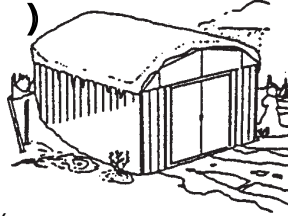
: Arrow Floor

12.

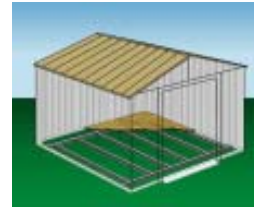
: 8 (495) 966-23-86





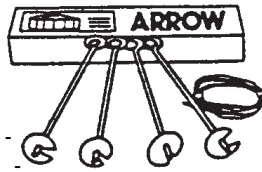


50%.



FB47410, FB5465, FB106-A
FB109-A FB1014-A

4



, 18

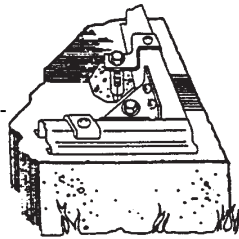
4

3,0 x 2,6

2

100

101



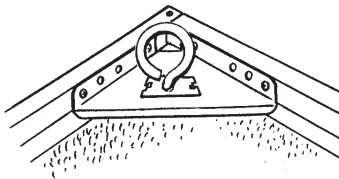
3,0



113

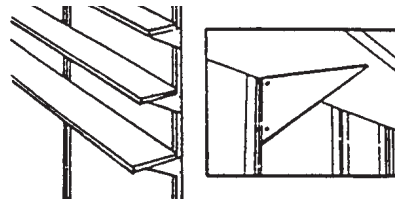
1/4

600

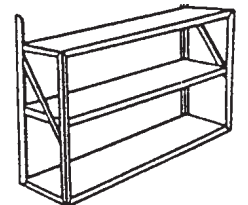


4

100



SS404



SS900-

(64,8)

20,3 30,5

• 3

38





B09



1:

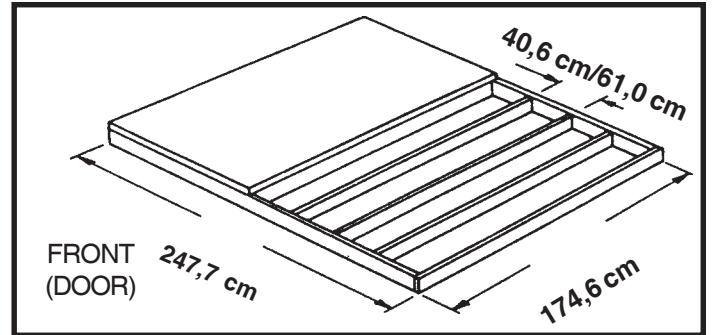
ARROW (No. FB106-A or 68381-A)

ARROW

- 1) ARROW
- 2) ARROW

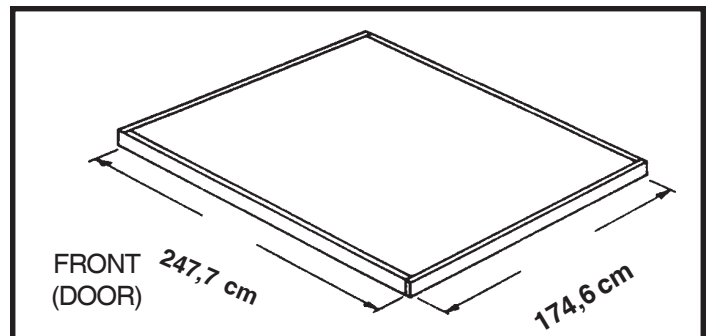
2:

- 38 x 89
 - 15,5 1220 x 2440
 -
 - ()
 - 6-7



3:

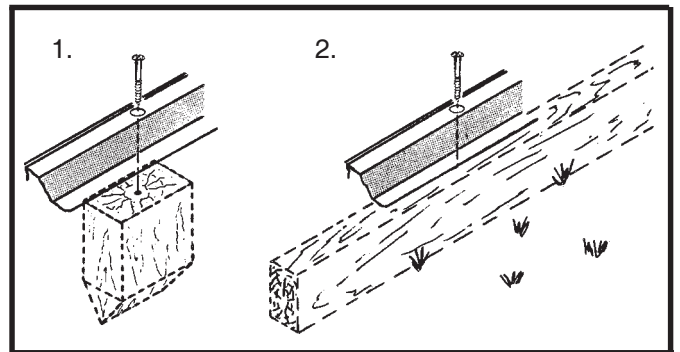
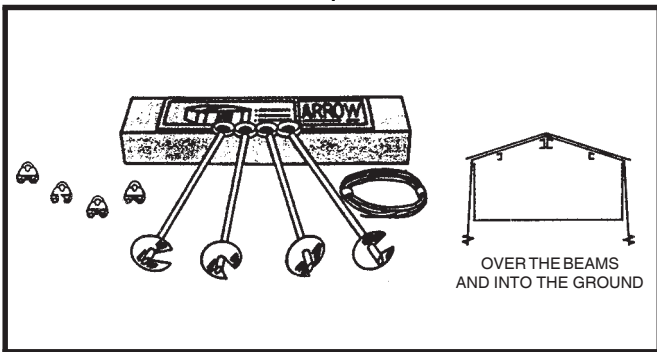
10,2





ARROW: (AK4 60298)

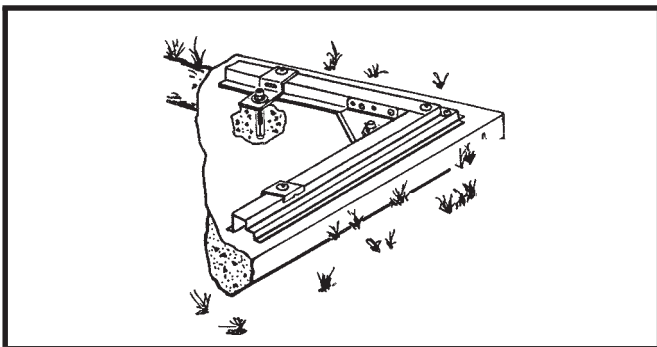
: 4



ARROW: (AK100 68383)

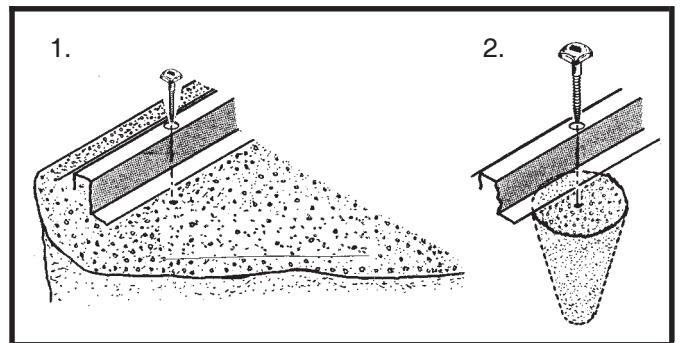
ARROW.

6



1. (6 x 51).

2. 6 x 152





65103
#8-32 Hex Nut (105)



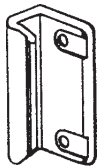
65900A
#10Bx1/2" (13 mm)
Black Screw (8)
(Packed with Screws)



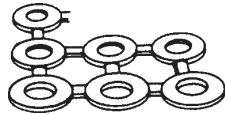
65923
#8-32x3/8" (10 mm)
Bolt (105)



65004
#8Ax5/16" (8 mm)
Screw (266)



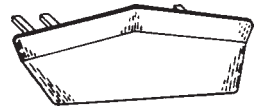
66045
Handle (2)



66646
Washer (279)
(8 sheets of 40)



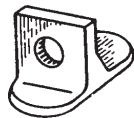
65109
#8-32 Acorn Nut (6)
(Packed with Screws)



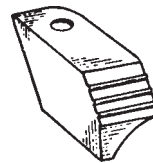
67468
Peak Cap (2)
(Arrow Logo)



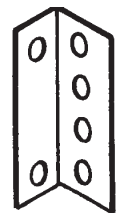
66769
Door Slide (4)



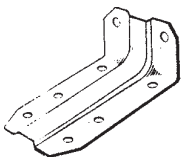
66382
Lower Door Guide (4)



66183
Roof Trim Cap
(2 right & 2 left)



7916
Roof Beam Bracket (4)



6228
Track Support (2)



66029
Plug (2)
(Packed with Screws)

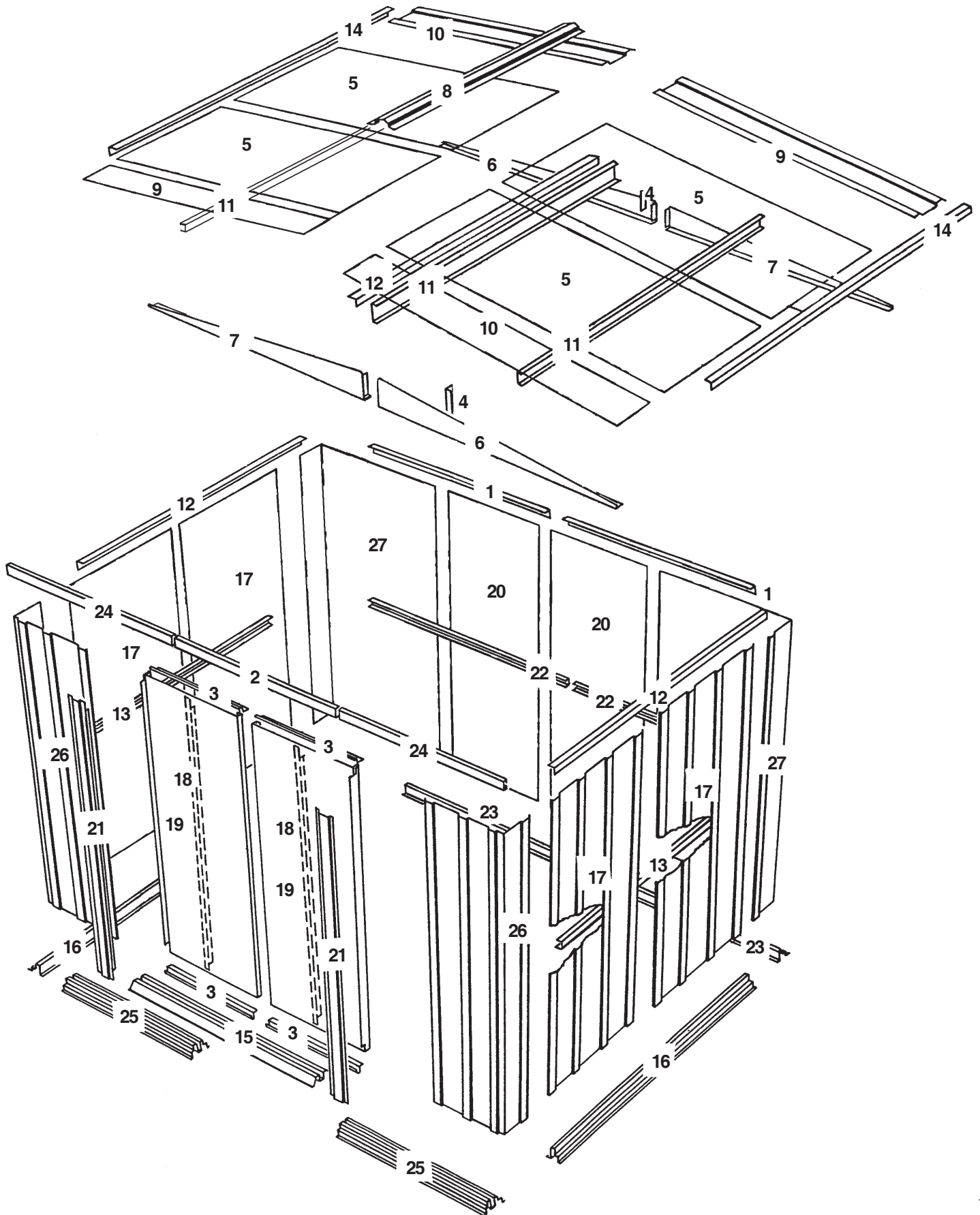


67293
Weather Stripping (1)

Assembly Key No.	Part Number	Part Description	Quantity in Carton	Check List
1	6615		2	
2	6617	.	1	
3	10498	.	4	
4	6658		2	
5	7875		4	
6	7906		2	
7	7907		2	
8	8461		1	
9	8466	(.)	2	
10	8467	(.)	2	
11	8474		3	
12	8476		3	
13	9920		2	
14	8482		2	
15	8941		1	
16	8946		2	
17	8995		4	
18	9355		2	
19	10488		2	
20	9363		4	
21	9900		2	
22	9924		2	
23	9377		2	
24	9378	.	2	
25	9379		2	
26	9380	.	2	
27	9384	-]2	

Assembly by Key No.

B13



1

- 8941 Ramp (1)
- 9379 Front Floor Frame (2)
- 9377 Rear Floor Frame (2)

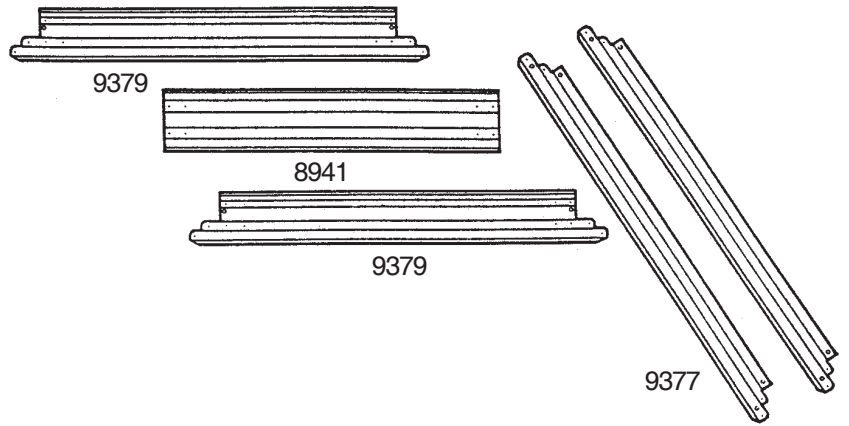
B14hw



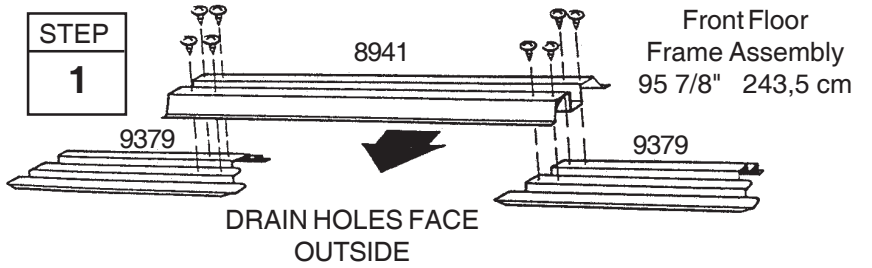
(8)



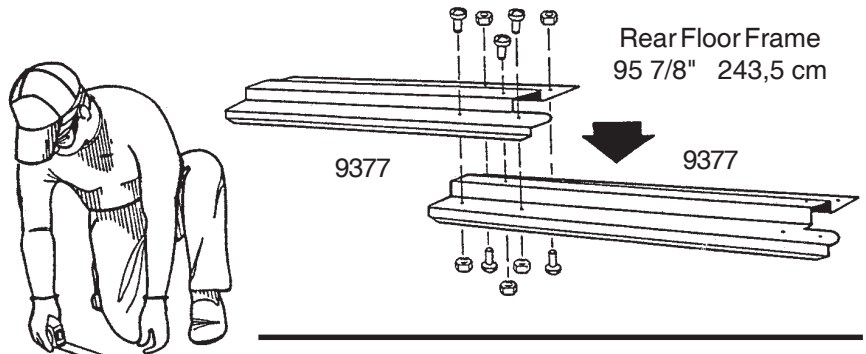
(5)



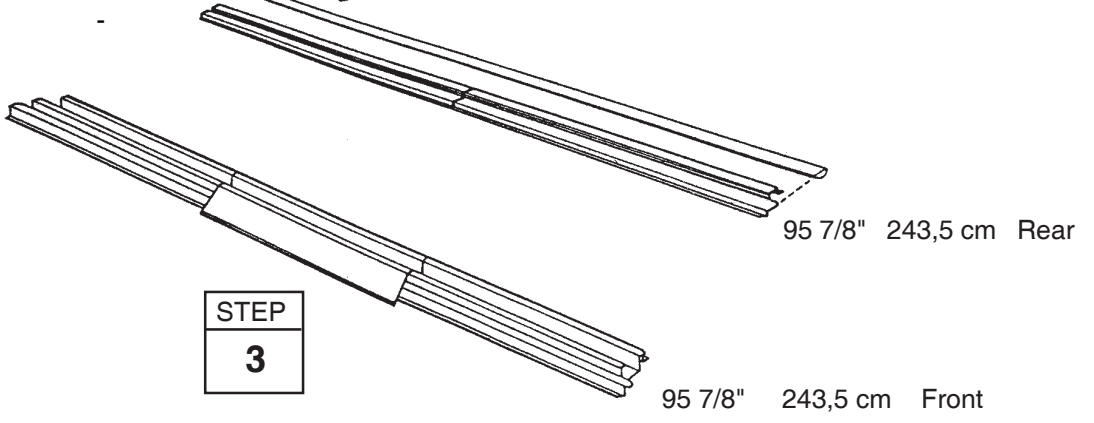
STEP
1



STEP
2



STEP
3



1

8-

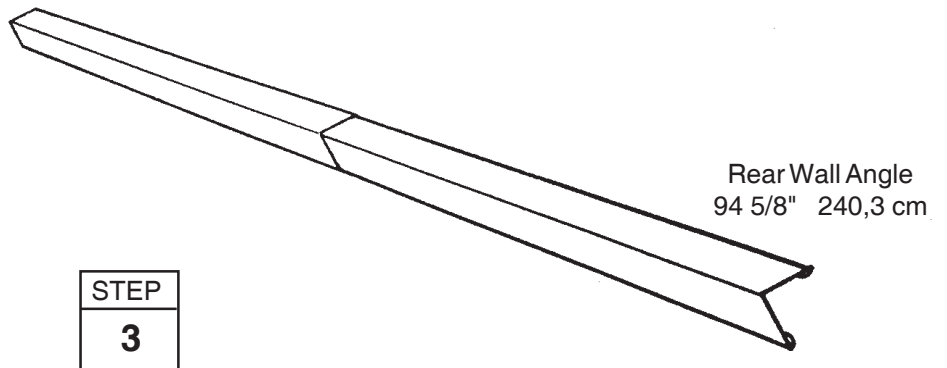
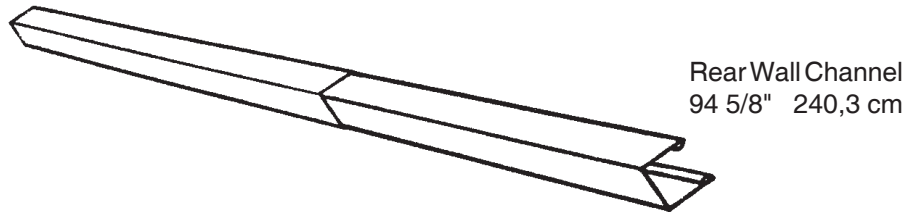
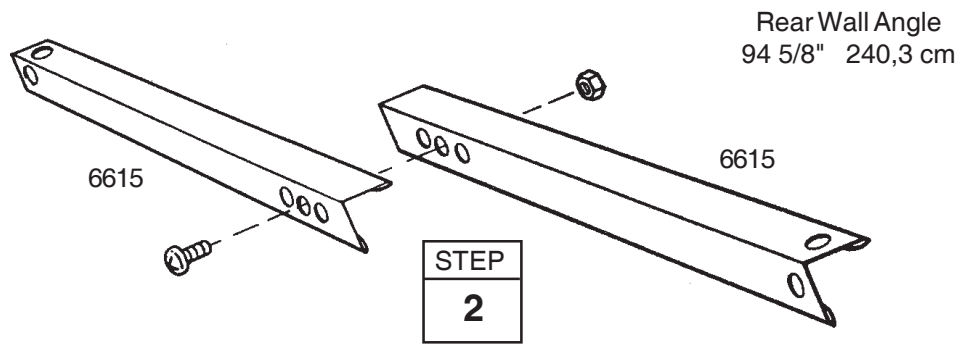
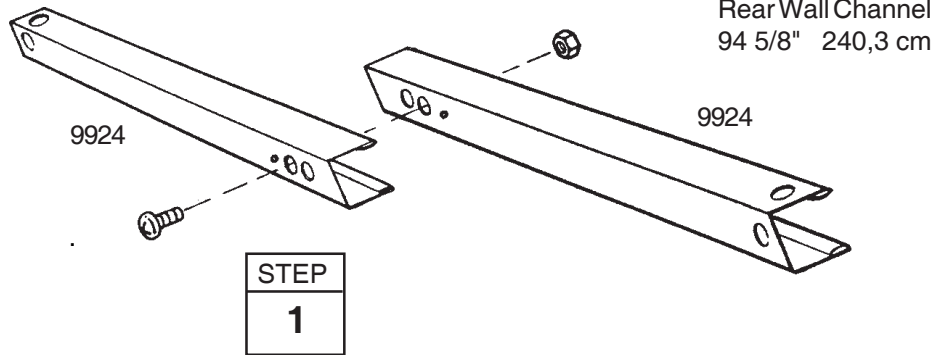
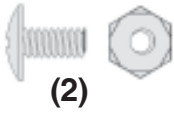
2.

3

2

- 6615 Rear Wall Angle (2)
- 9924 Rear Wall Channel (2)

B15hw



3

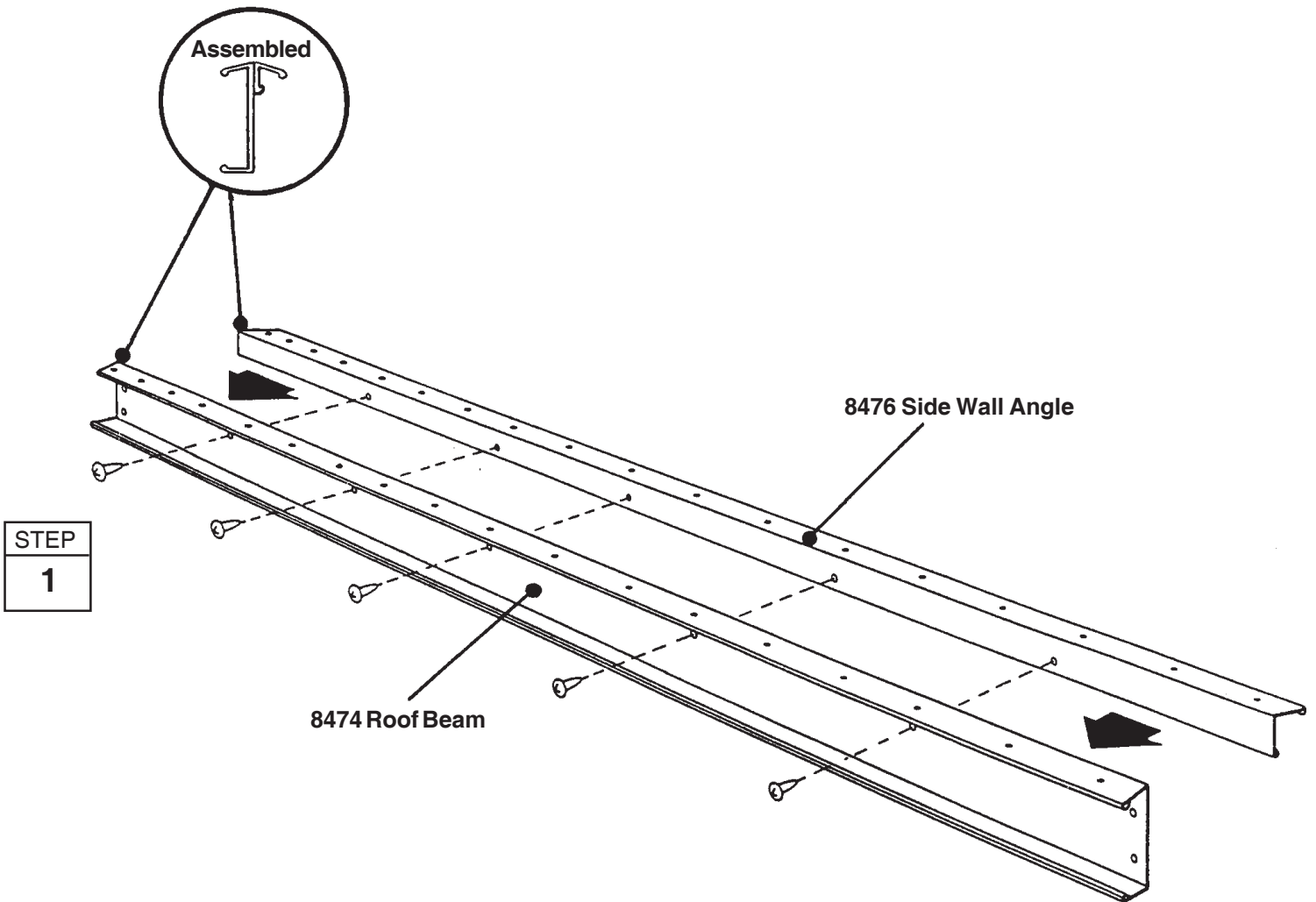
- 8474 Roof Beam (1)
- 8476 Side Wall Angle (1)

B16hw



(10)

10-



STEP
1

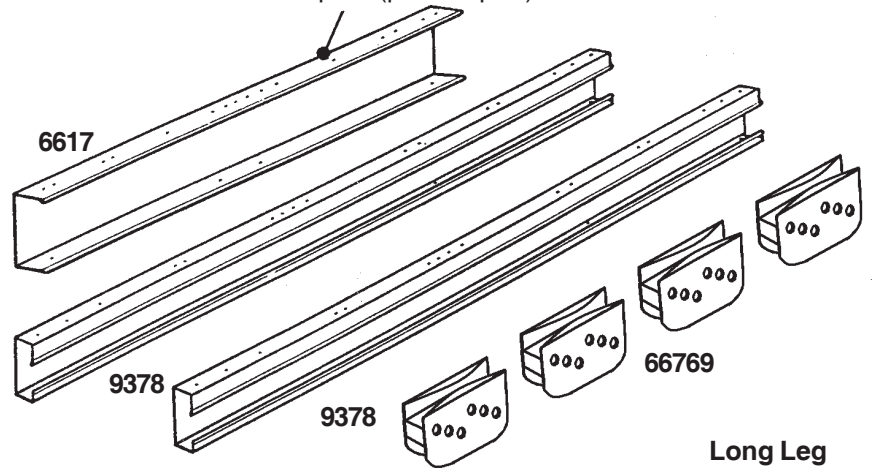
4

- 6617 Door Track Splice (1)
- 9378 Door Track (2)

B17hw



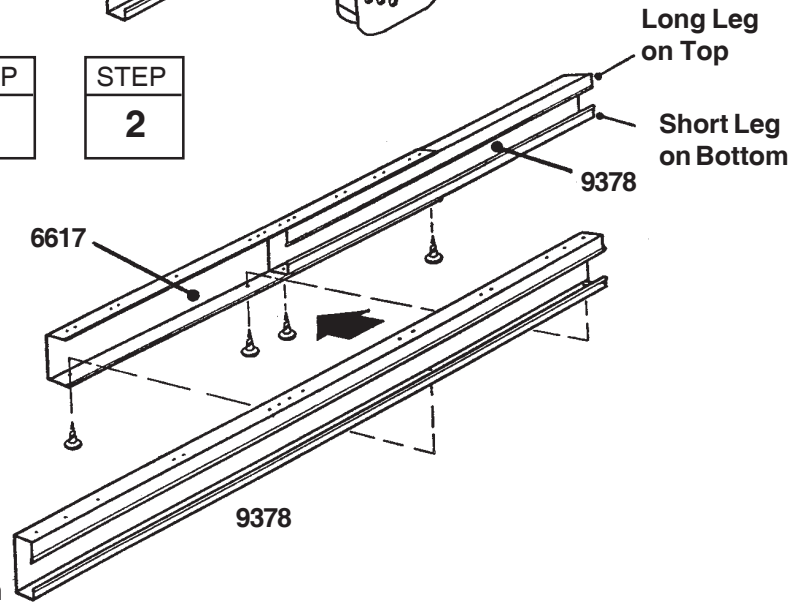
NOTE:
Door Track Splice (painted part)



- 1
- 2
- 3
- 4

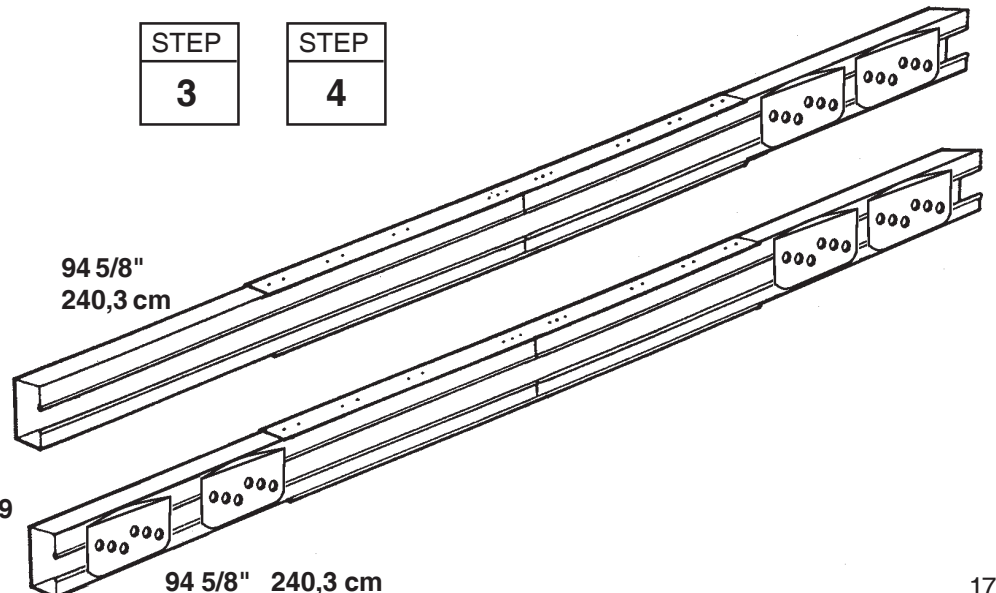
STEP
1

STEP
2

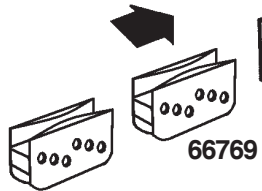


STEP
3

STEP
4



END VIEW



5

B18hw

- Front Floor Assembly (1)
- 8946 Side Floor Frame (2)
- Rear Floor Assembly (1)

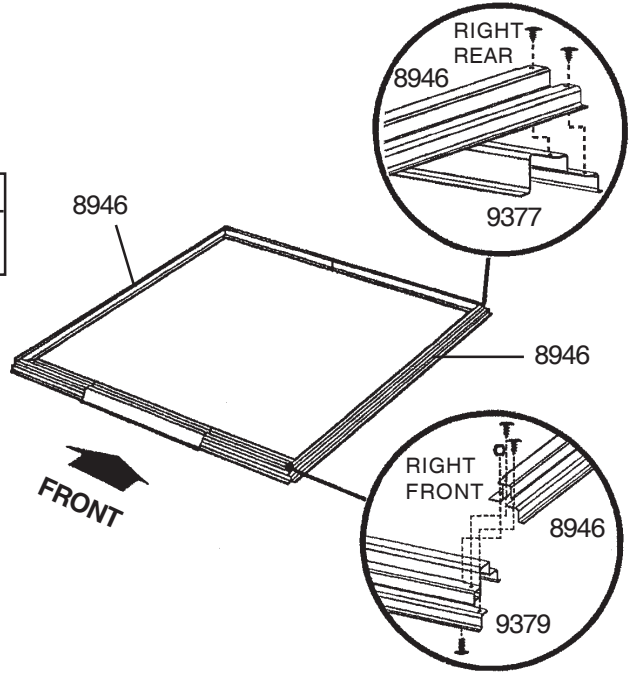


(8)



(2)

STEP
1

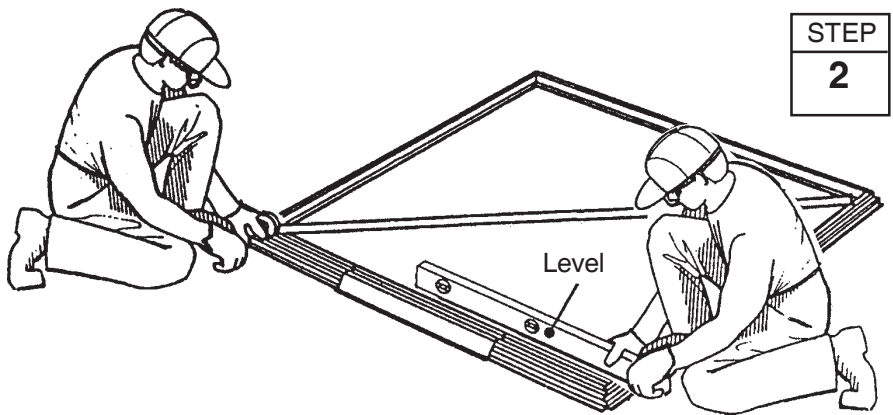


1

2



STEP
2



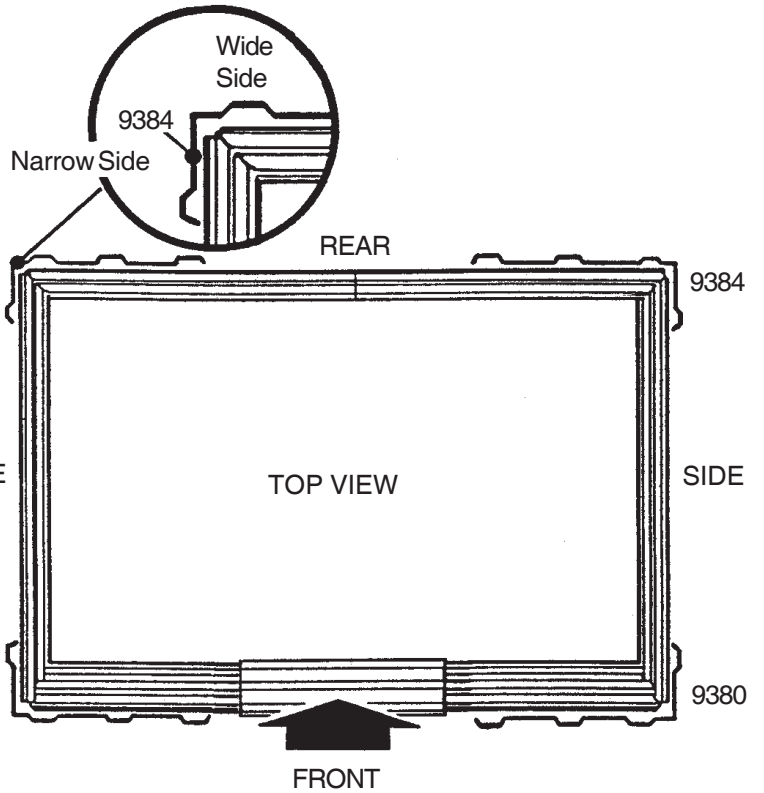
6

- 9380 Front Corner Panel (2)
- 9384 Rear Corner Panel (2)

B1291bw



STEP
1



STEP
2



CORRECT

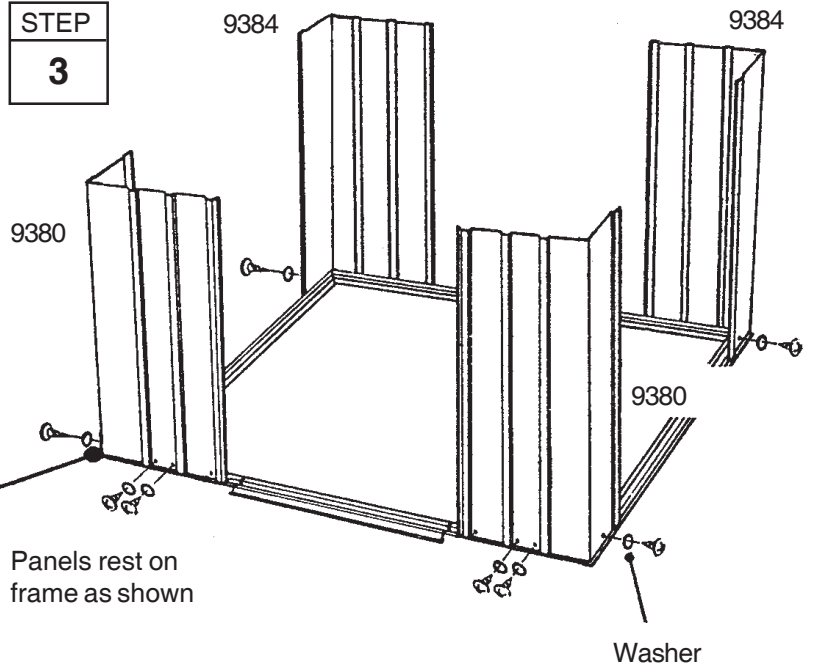


INCORRECT

1

2

STEP
3



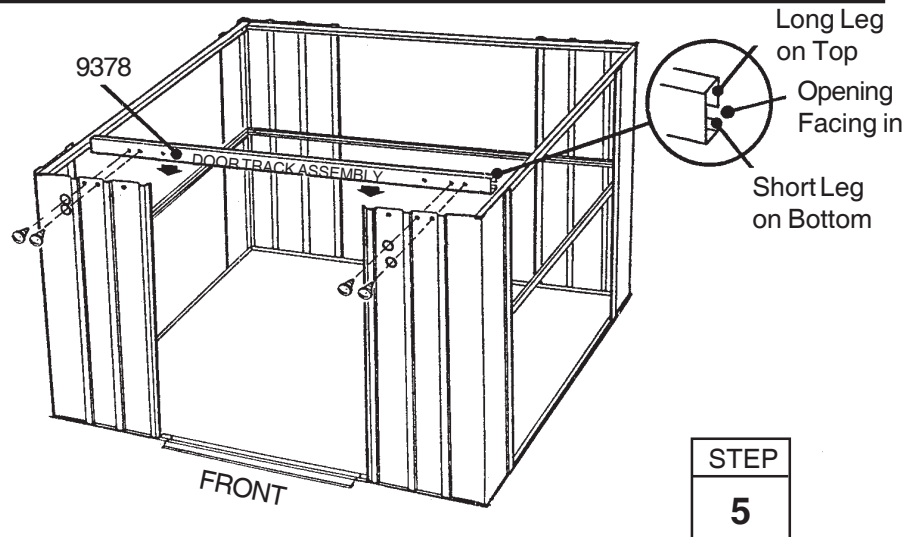
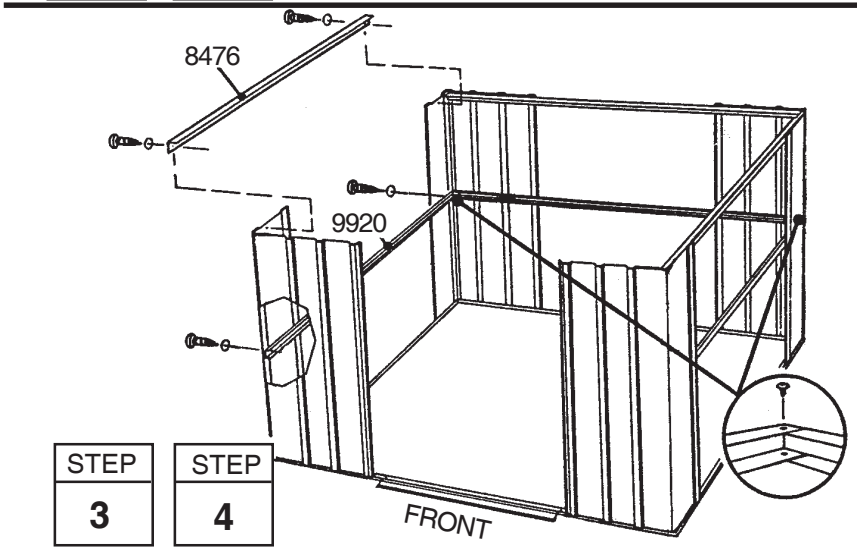
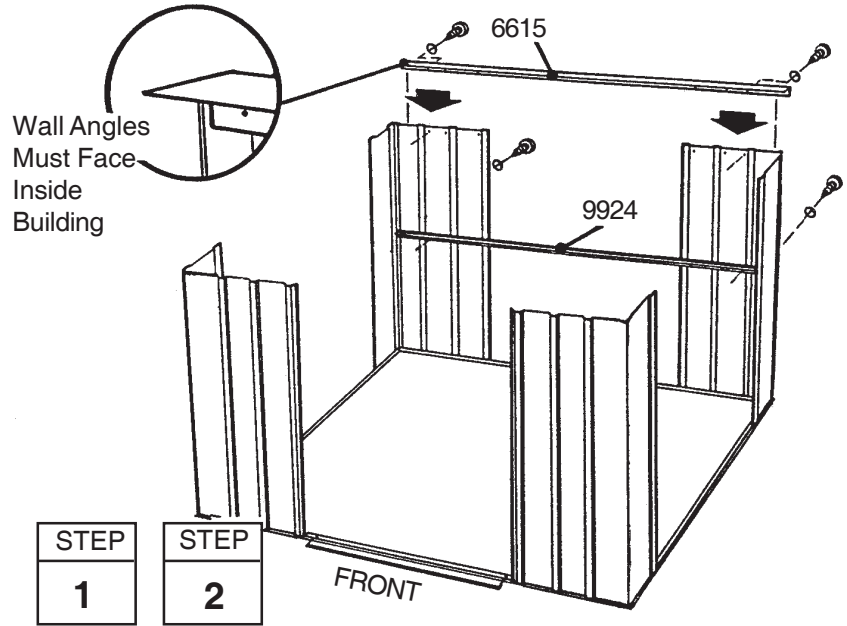
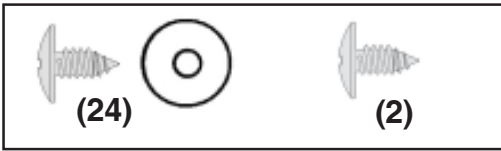
3.



7

B20hw

- Door Track Assembly (1)
- Rear Wall Angle Assembly (1)
- 8476 Side Wall Angle (2)
- Rear Wall Channel Assembly (1)
- 9920 Side Wall Channel (2)



1

(.) .

2

3

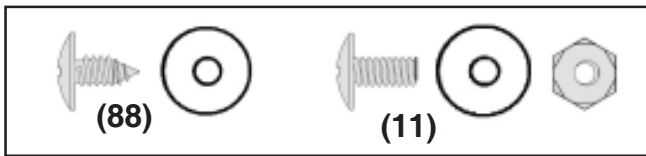
4

5

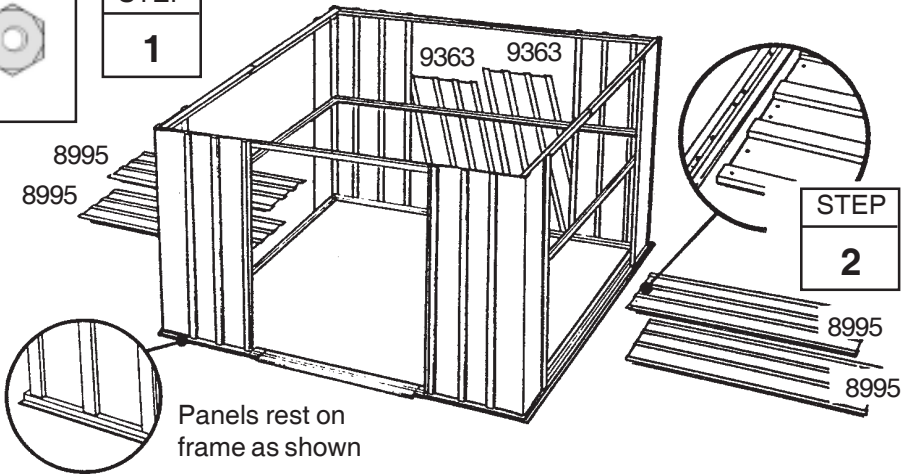
8

B21hw

- 8995 Wall Panel (4)
- 9363 Wall Panel (2)



STEP
1



STEP
2

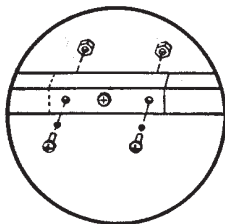
Crimped Rib
Underneath

Detail Showing
Center of Panel
Screwed to
Wall Channel

STEP
3

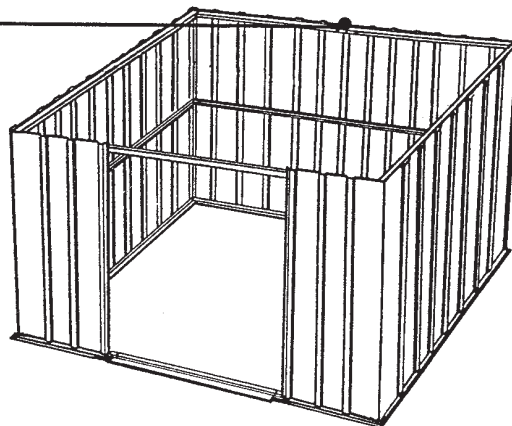
STEP
4

Bolt and nut
does not go thru
wall channel
at overlap

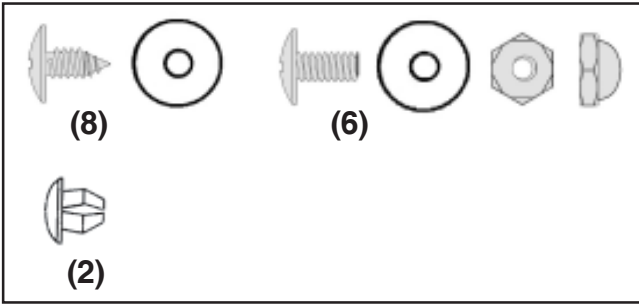


Use bolts and
nuts thru wall
angle overlap
at the top of
panel at rear.

STEP
5



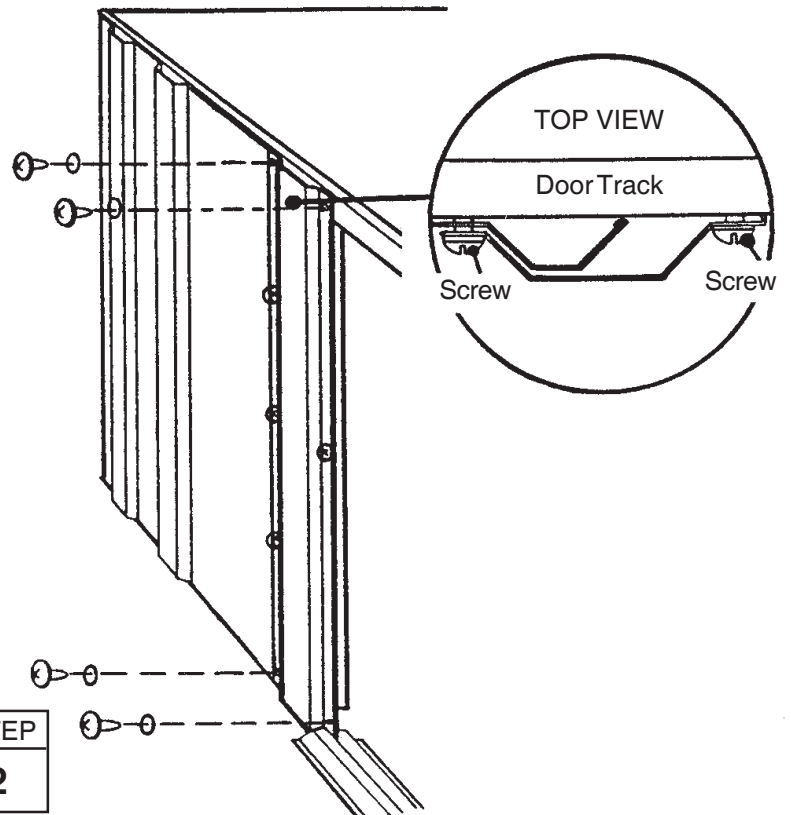
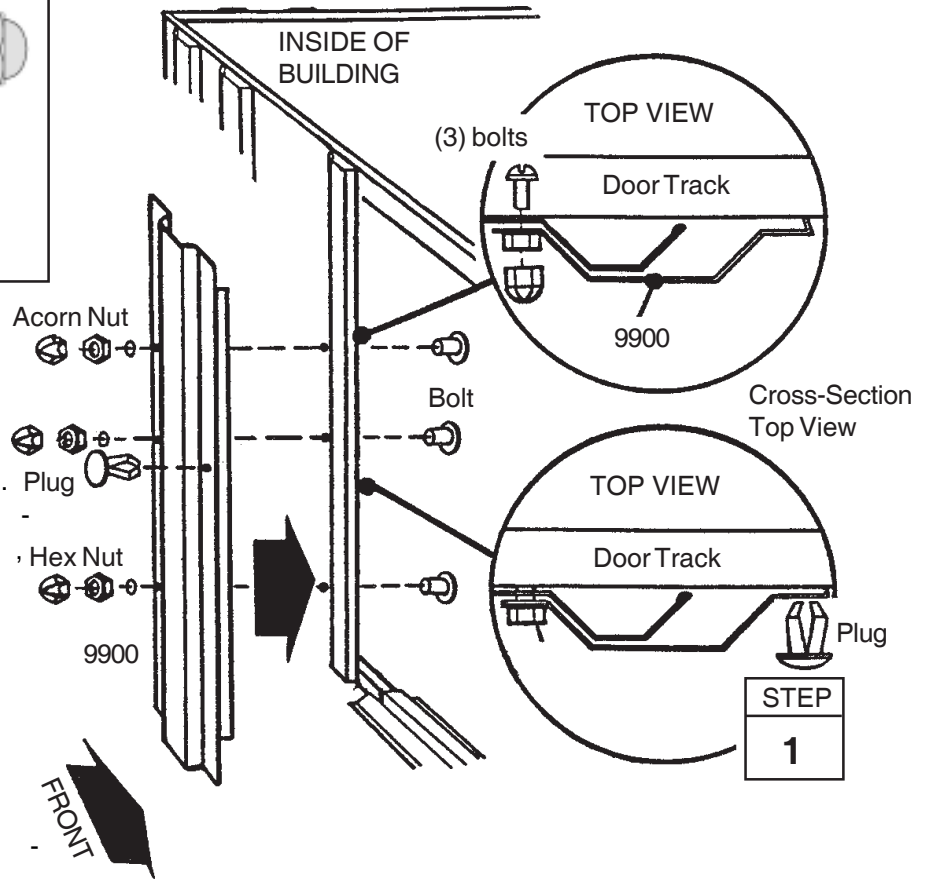
B22hw



1

2

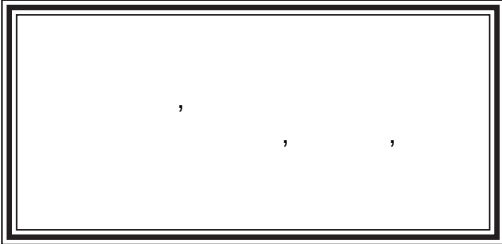
1 - 2



10

- 7906 Right Gable (2)
- 7907 Left Gable (2)
- 7916 Roof Beam Bracket (4)

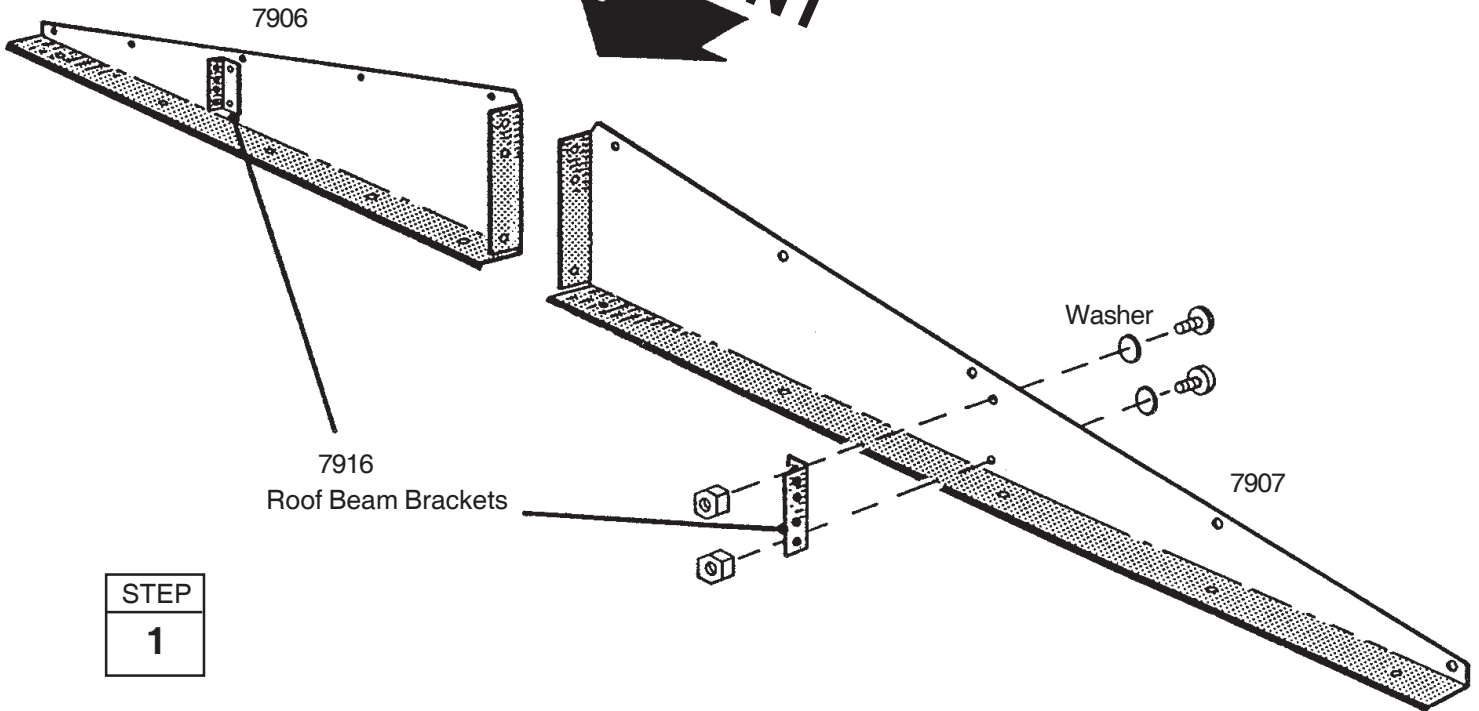
B23hw



1. 4



FRONT



STEP
1

11

B24hw

- Left Gable Assembly (2)
- Right Gable Assembly (2)
- 6658 Gable Brace (2)



(24)



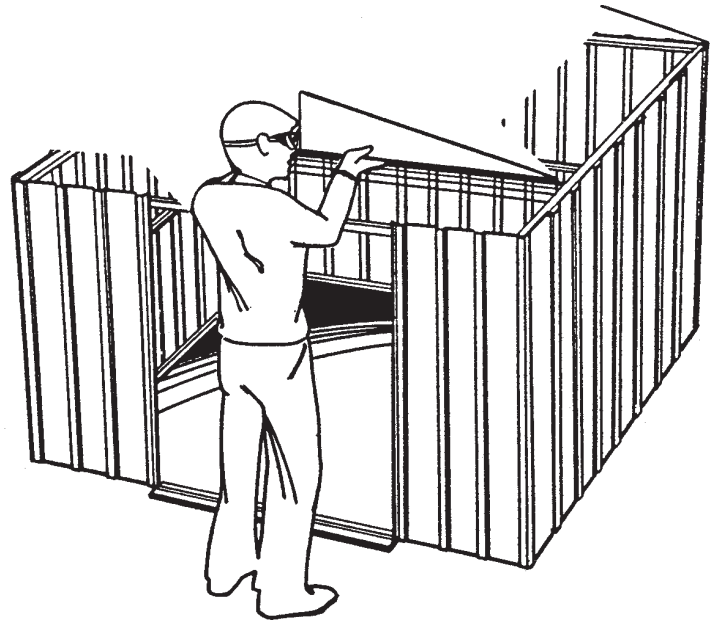
(7)

1

2

3

1 2



STEP
1

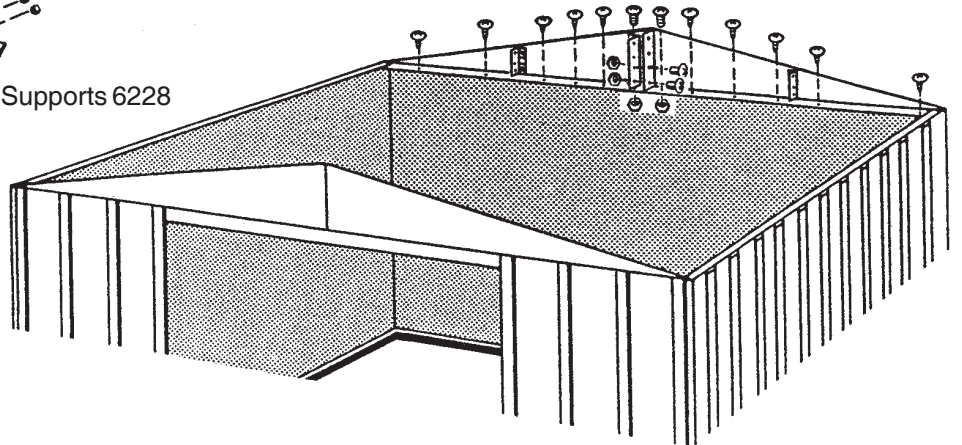
Gable

6658 Gable Brace

STEP
2

Track Supports 6228

STEP
3



12

- Main Roof Beam (1)
- 8474 Roof Beam (2)

B25hw



1

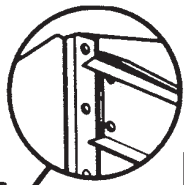
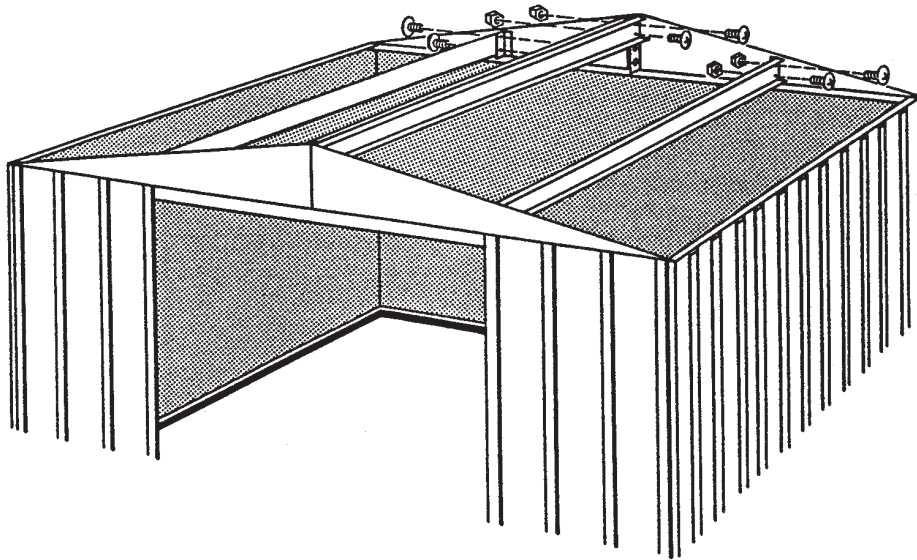
2

3

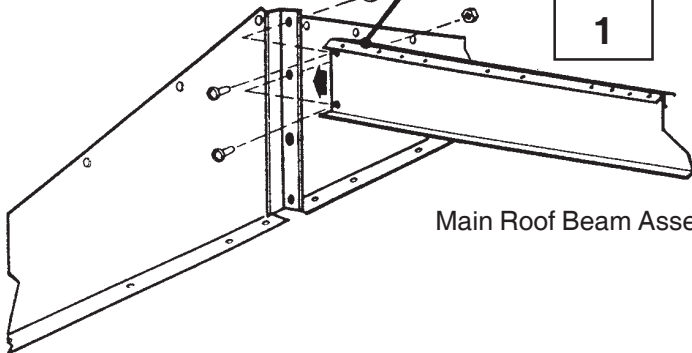
STEP
3

8474 Roof Beam

STEP
2



STEP
1

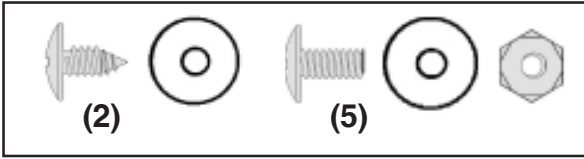


Main Roof Beam Assembly

13

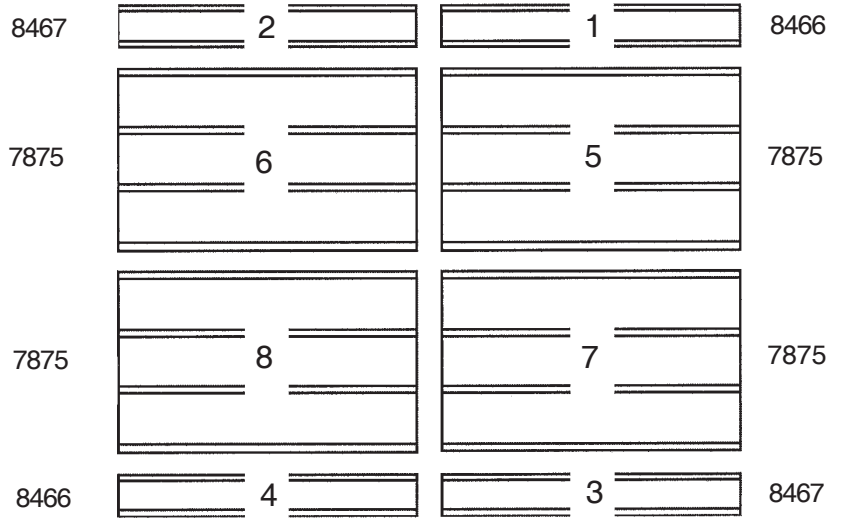
● 8466 Right Roof Panel (1)

B26hw



STEP

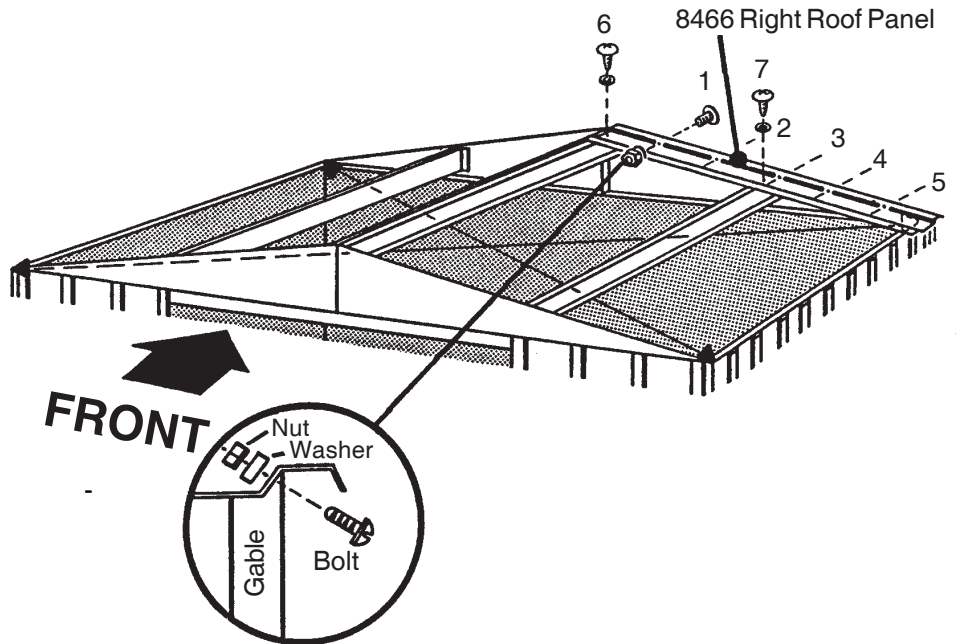
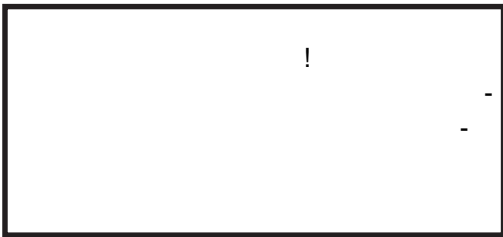
1



FRONT

STEP

2



1.

2

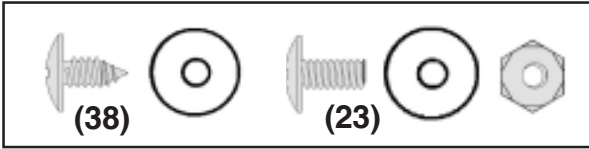
5

2

14

B27hw

- 8467 Left Roof Panel (2)
- 7875 Roof Panel (4)
- 8466 Right Roof Panel (1)



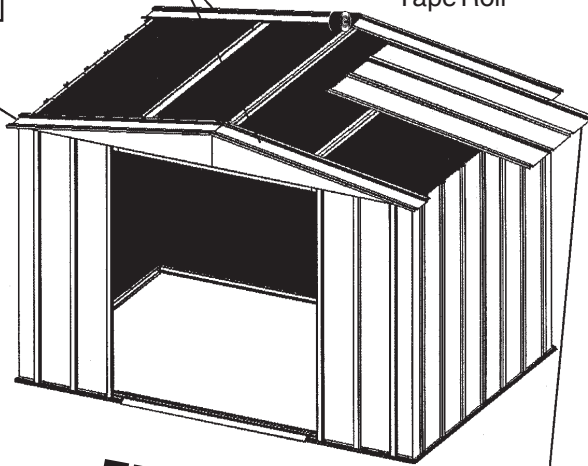
STEP
1

8467 Left Roof Panel

Weather Stripping
Tape Roll

STEP
2

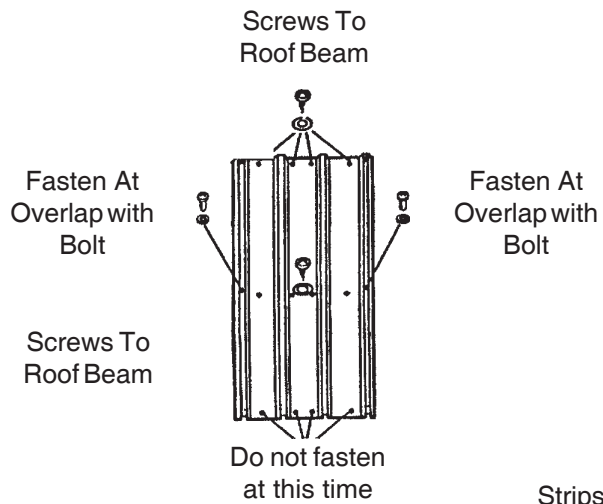
8466 Right
Roof Panel



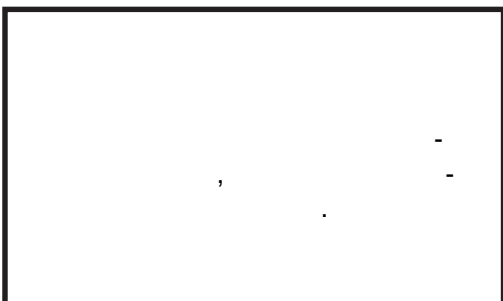
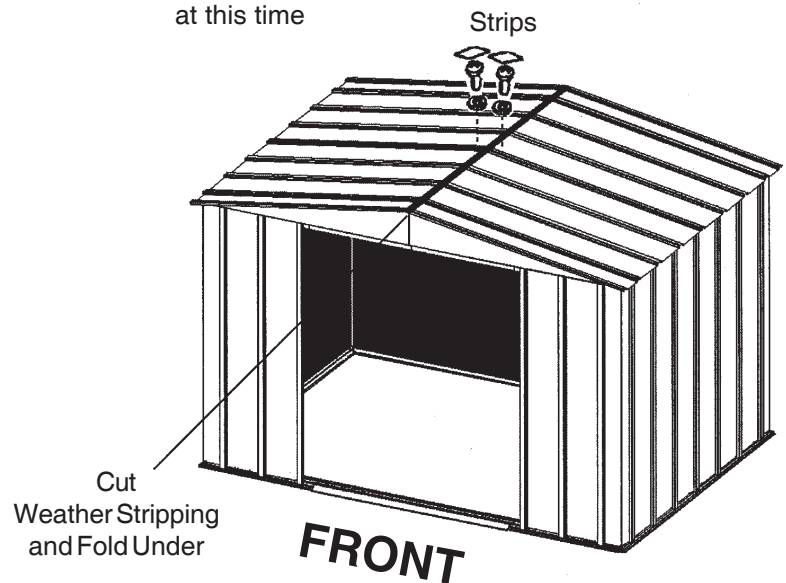
7875 Roof Panel

FRONT

1
2 5
3 4



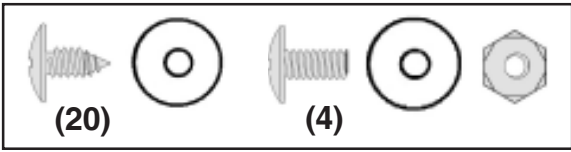
STEP
3



15

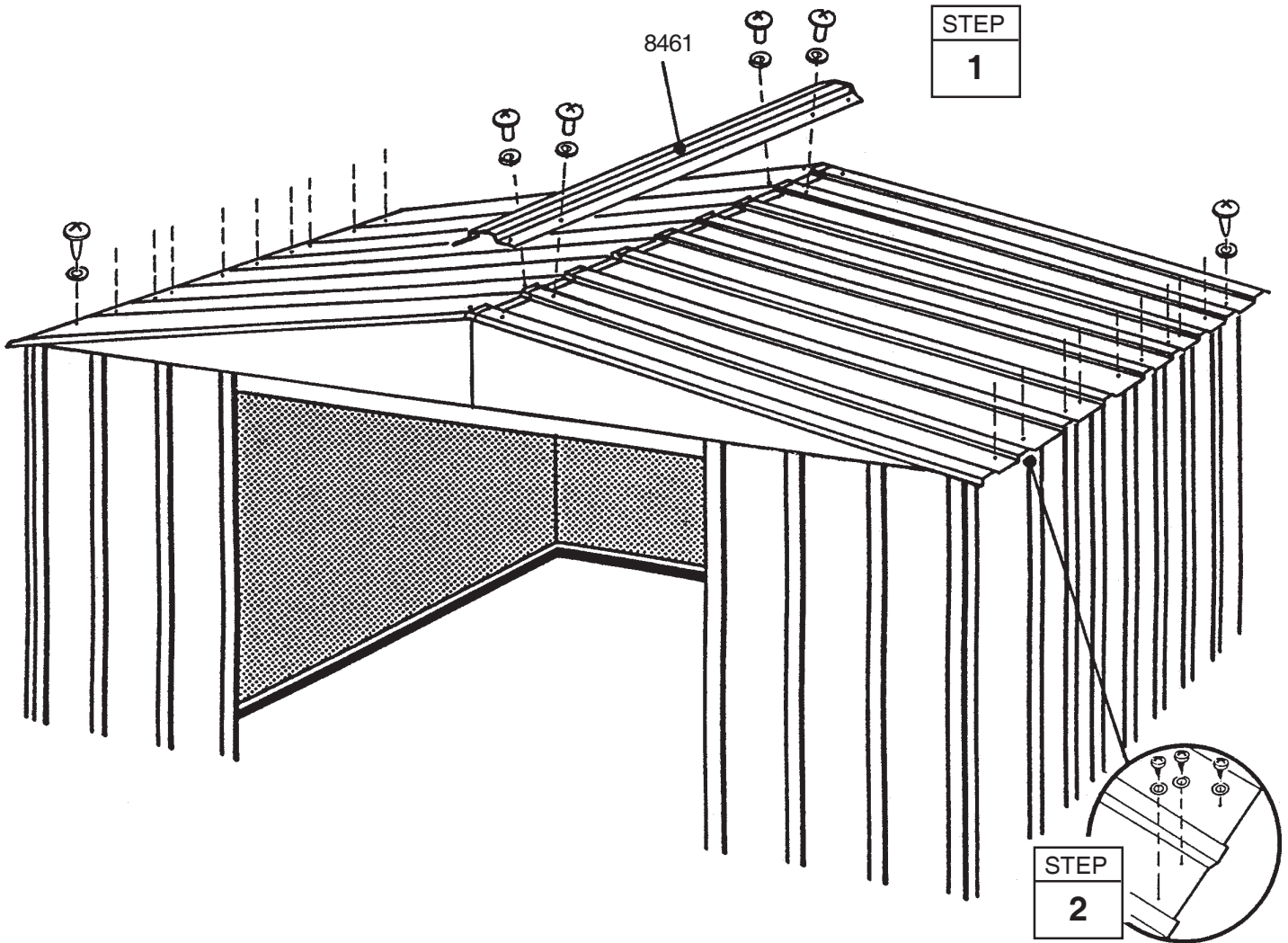
● 8461 Ridge Cap (1)

B28hw

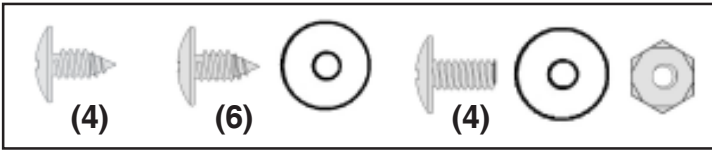


1

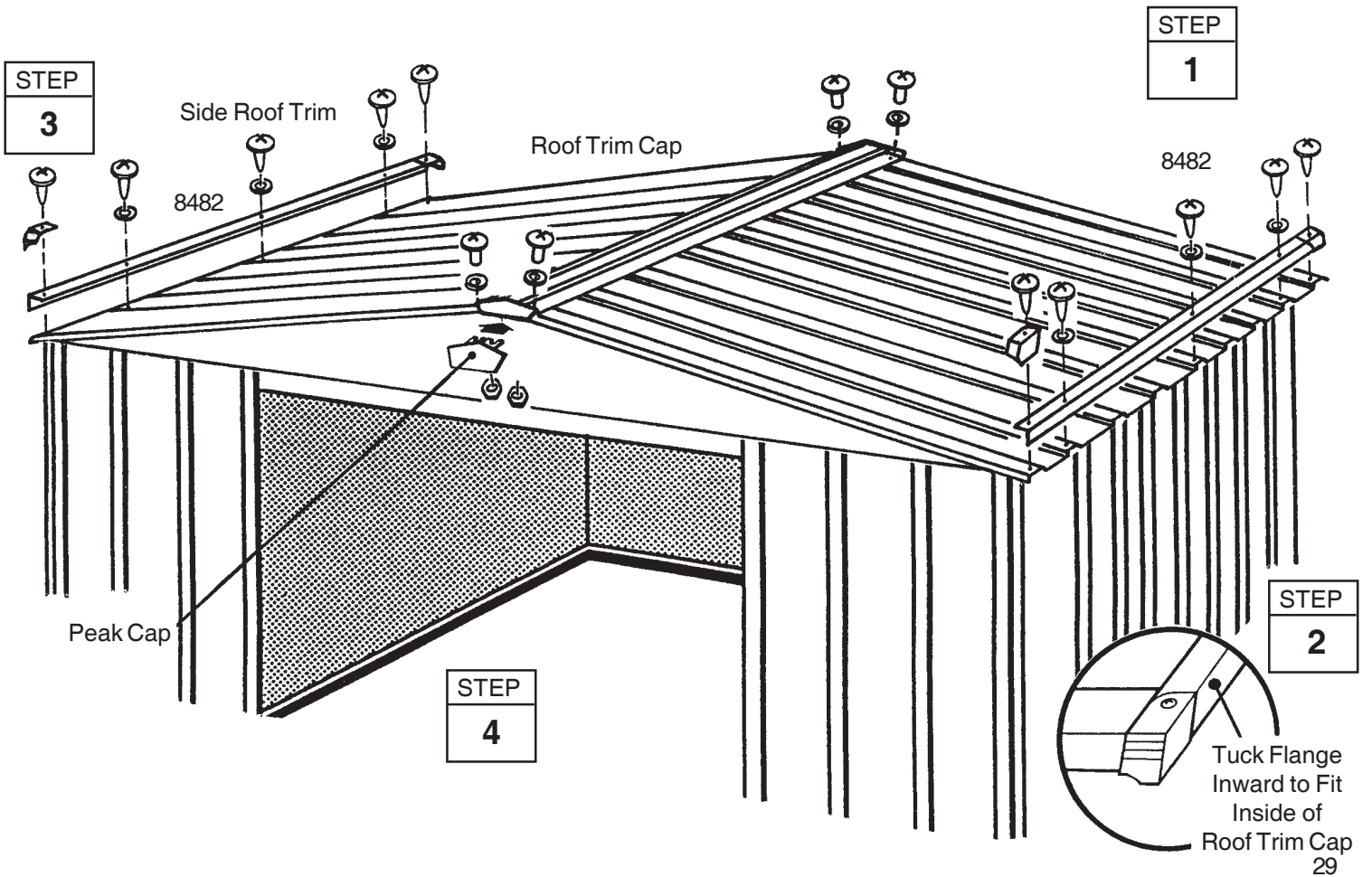
2



B29hw



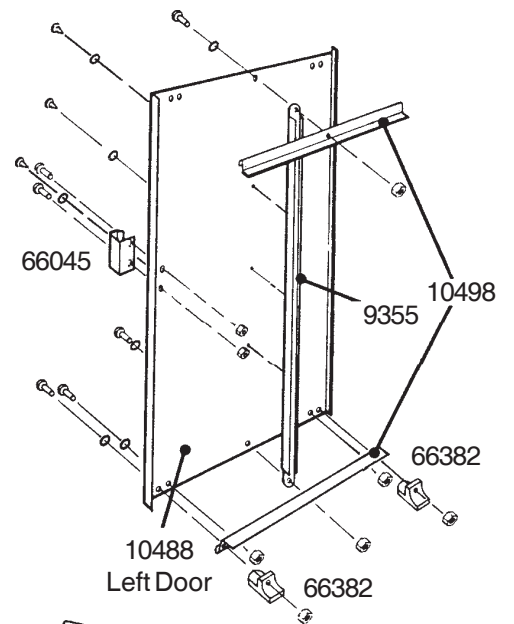
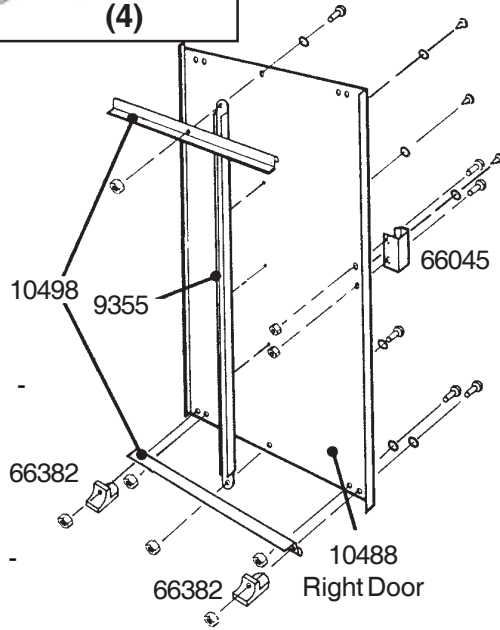
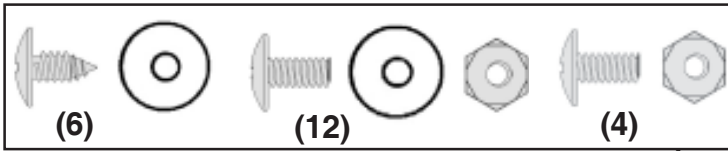
- 1 (3) .
- 2
- 3
- 4



17

- 10488 Right and Left Doors (2)
- 10498 Horizontal Door Brace (4)
- 9355 Vertical Door Brace (2)

B30hw



1

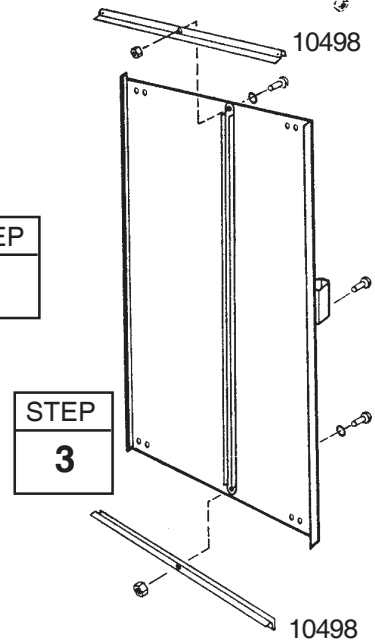
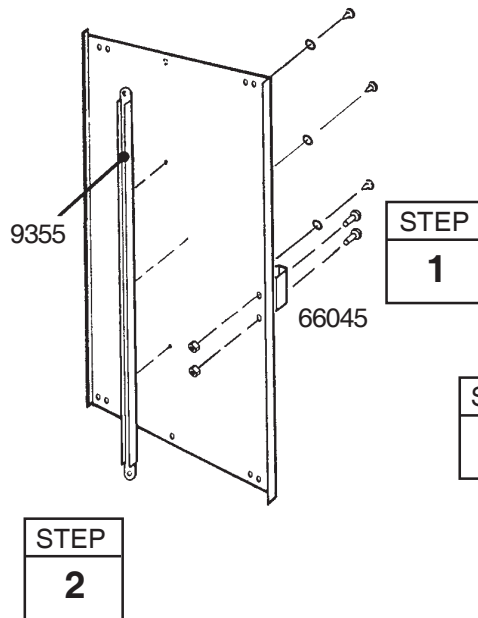
2

3

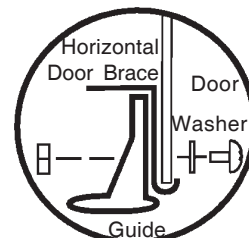
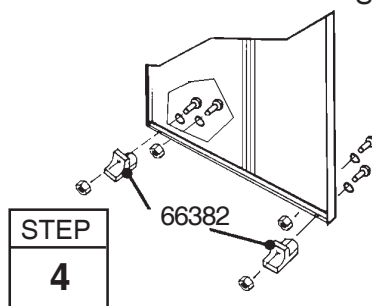
4

5

1-4



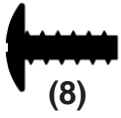
END VIEW
SHOWING:



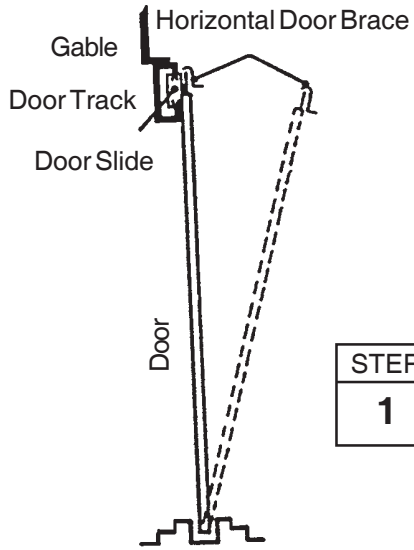
18

- Right Door Assembly (1)
- Left Door Assembly (1)

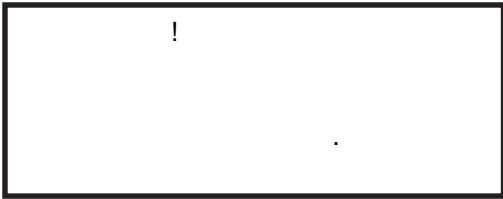
P31hw



(8)

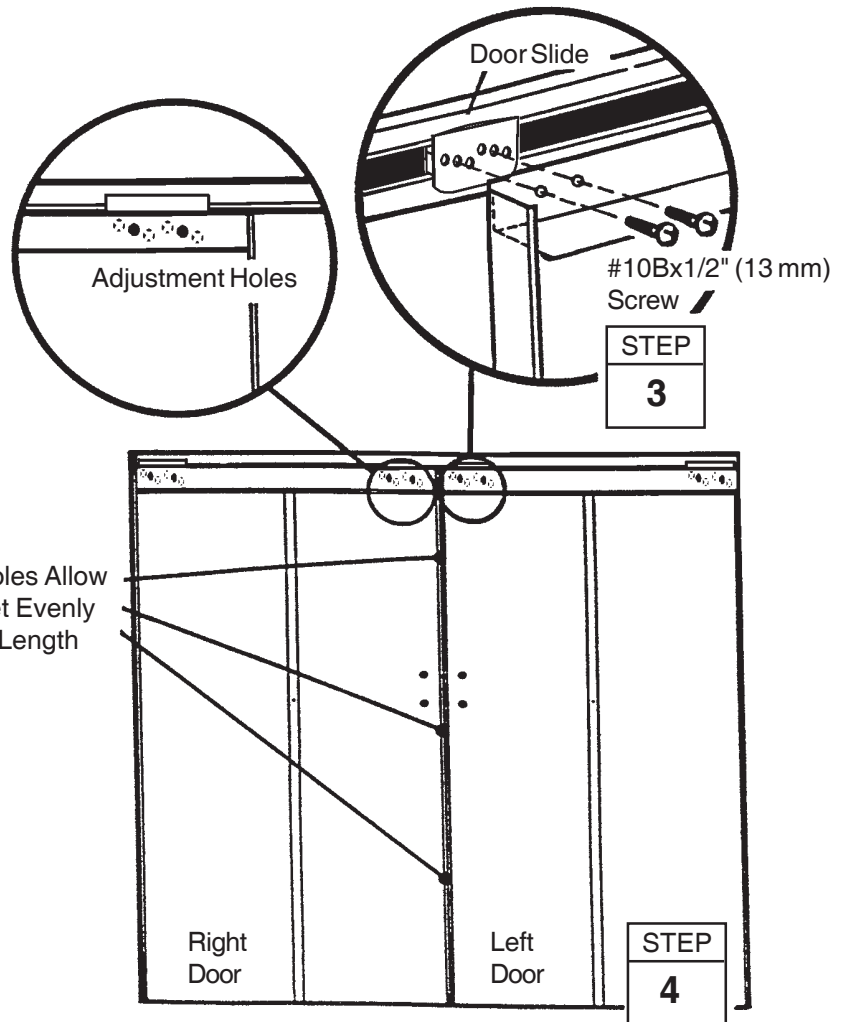


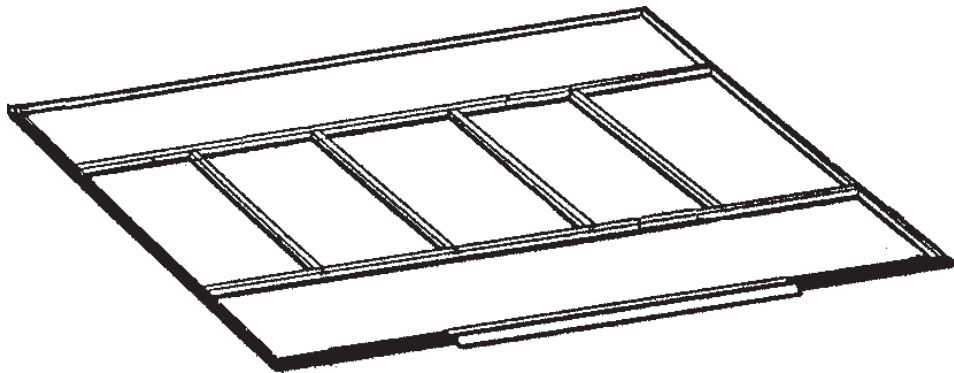
Front Floor Frame Assembly



4.

1-3





1.

2.

3.

4.